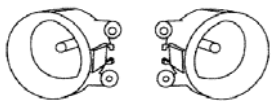


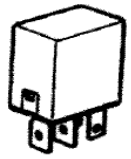
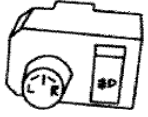






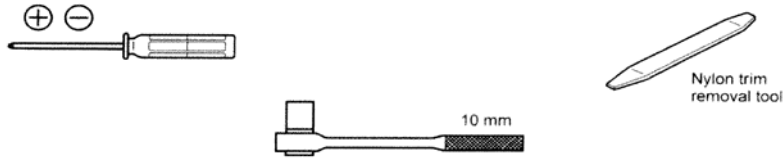
Part Number: H451SAJ200

Description: Fog Light Kit, Legacy

Kit Contents

<p>A</p>  <p>Fog Light: 2</p>	<p>B</p>  <p>Trim Cover, Passenger Side: 1</p>	<p>C</p>  <p>Trim Cover, Driver Side: 1</p>	
<p>D</p>  <p>Relay: 1</p>	<p>E</p>  <p>Switch: 1</p>	<p>F</p>  <p>Nut: 4</p>	<p>G</p>  <p>Screw: 4</p>

Tools Required



Icon Legends / Cautions



: Remove/Disconnect



: Install



: Location of clip or screw

- 1) Read all instructions before proceeding with installation. If uncomfortable performing any procedures, such as lamp aiming in final step, have installation performed by a Subaru dealer technician.
- 2) Take care not to damage vehicle components during removal and installation.
- 3) Route wiring so that it does not rub against any sharp edges.

Part Number
H451SAJ200

Issue
4

Date
2013.08.02

SUBARU OF AMERICA

Page
1/5

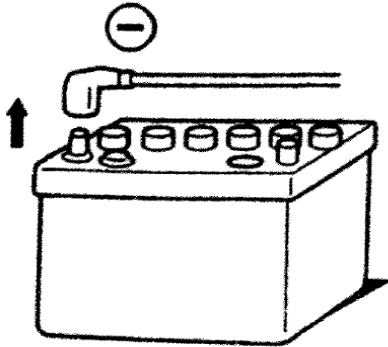


Part Number: H451SAJ200

Description: Fog Light Kit, Legacy

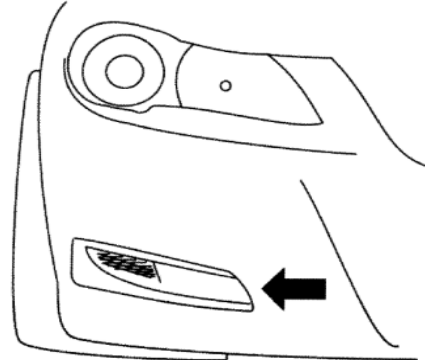
Installation

1



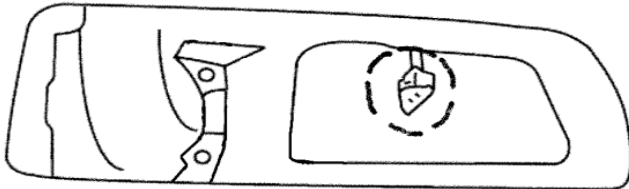
Disconnect negative battery terminal using 10mm wrench.

2



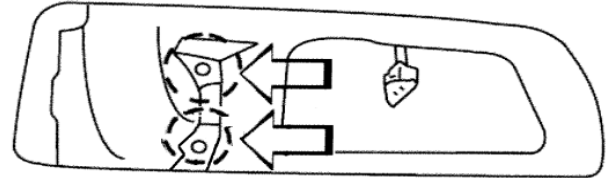
Remove passenger side cover with plastic trim tool.

3



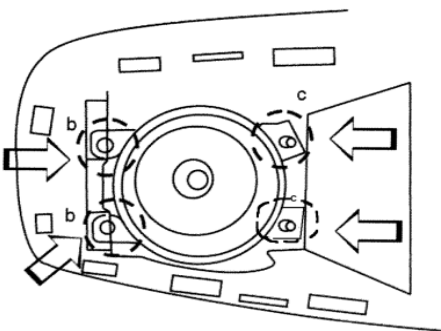
Find harness connector. Free it from the tape.

4



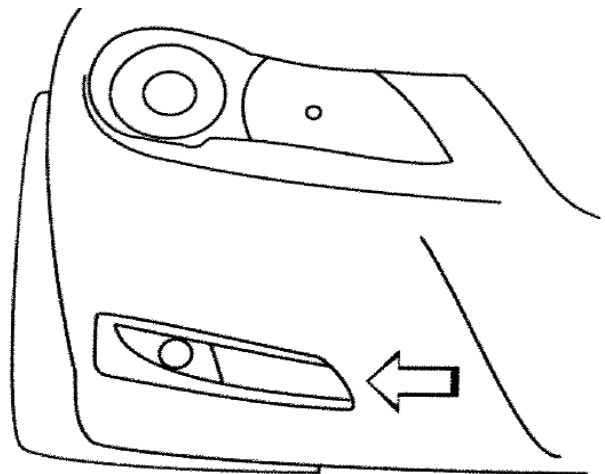
Slide nuts (F) onto marked locations. Protruding end faces front of vehicle.

5



a. Connect fog light (A) to harness.
b. Slide two outer fog light tabs into slots in bumper. Secure inner top tabs with screws (G) from inside out. If more space is needed, the panel under the bumper can be removed.

6



Install new trim cover (B). Repeat steps 2 through 6 for driver's side

Part Number
H451SAJ200

Issue
4

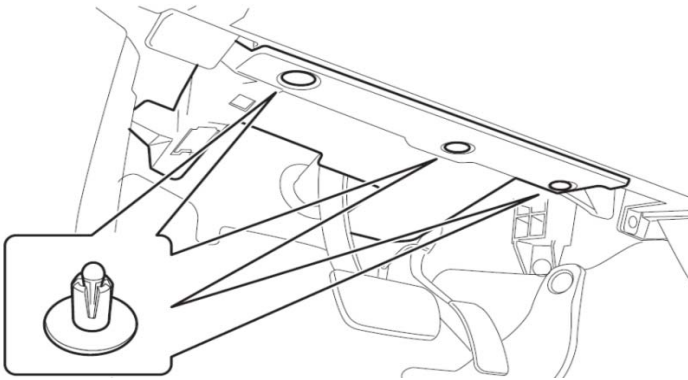
Date
2013.08.02

SUBARU OF AMERICA

Page
2/5

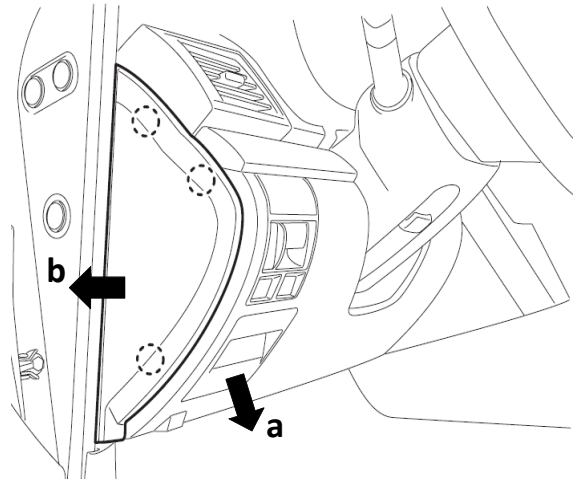
Installation - continued

7



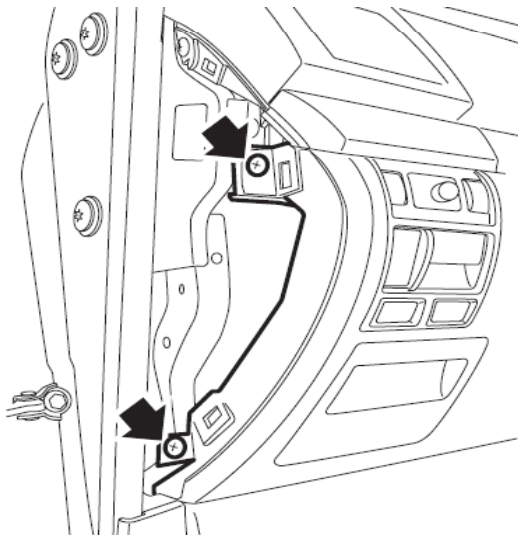
Remove driver side kick panel by separating clips and removing OBDII connector.

8



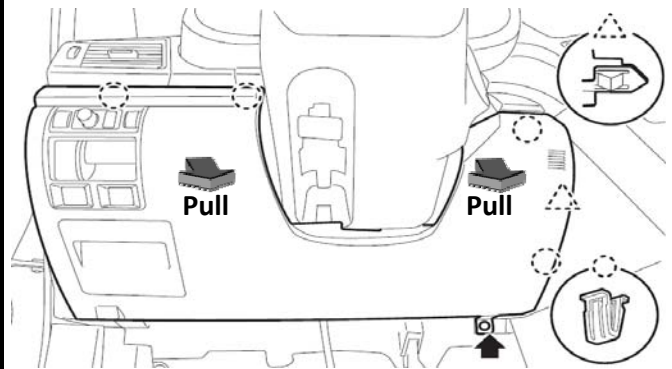
a. Remove fuse panel door.
b. Remove side panel by pushing from inside.

9



Remove two screws where indicated by arrows.

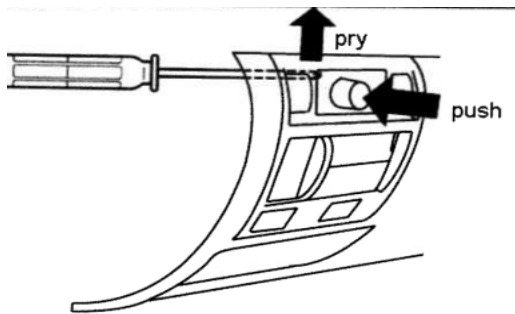
10



a. Remove screw where indicated by arrow.
b. Remove lower panel cover by pulling outward to separate clips, beginning on left.
c. Disconnect panel harness connectors.

Installation - continued

11



While pushing on mirror adjustment knob, use flathead screwdriver to release 4 locking tabs from behind. Use new switch (E) as a reference for tab locations. Discard old switch.

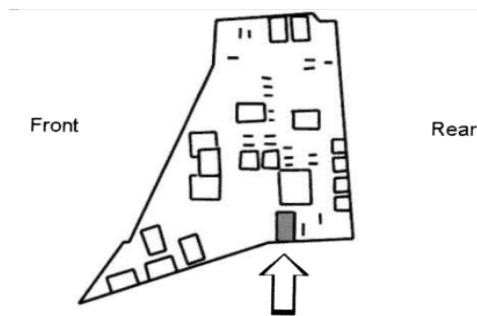
12

Insert new switch into dash panel.

Reconnect harness connectors.

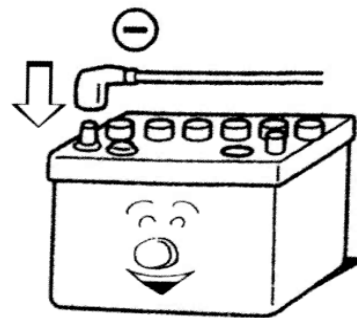
Follow steps 7-10 in reverse to reassemble lower panel.

13



Open engine bay fusebox.
Insert relay (D) in position indicated by arrow.
Replace fusebox cover.

14



Reconnect negative terminal to battery.
Tighten with 10mm wrench.

